

Product manual



REVOLUTION-5600

1 SECURITY TIPS

WARNING!!! To reduce the risk of fire, electric shock, or injury to persons, follow these important safety instructions:

- non-professionals, not to disassemble the light arbitrarily and lighting accessories inside.
- rated voltage range: AC110V-120V/60Hz or AC200V-240V / 50HZ (to be selected).
- not beam irradiate the flammable materials, flammable materials and the lamp should be maintained at least 1M over the distance.
- lamps used in ambient temperature: -15 °C -40 °C , the highest temperature of the surface of the lamp: 60 °C .
- to keep away from the liquid substance and humid environment.
- before using the lights must ensure the good grounding, can not install charging and remove any parts.
- the installation of lamps, must be fixed screw fasteners with additional security cable and regular inspection.
- lamps consecutive working hours is not recommended more than 10 hours.
- should stop using the lights in time when happens unusual conditions during the process
- lamp parts of the rotation, external accessories and paste parts should be regular inspected, such as the emergence of loose and rock, should be reinforced in a timely manner to prevent the accident.
- lamps adopt strong winds to refrigerate, it is easy to accumulate the dust, so you have to clean it weekly especially the cooling air opening, otherwise the dust will plug leading to poor light

2 TECHNOLOGY REFERENCE

Input voltage range: 100-240 V, 50/60 Hz

Power consumption: 500W

LED Source: Front: 5x 60W RGBW 4in1 LED;

Back :42x 3W White LED + 84x 0.3W RGB 3in1 LED

LED Control Feature:

Front side: 5pcs RGBW LED each Pixel control;

Back side: 14 sections pixel control, each section 9pcs led.

Zoom: 3.8° - 50°

Channel: 24CH/29CH/77CH

LED life: 50.000 hours

Beam , Wash , Strobe Multiple Effect, Pan Tilt infinite rotating

Electronic strobe effect with variable speed up to 20 Hz

High resolution electronic dimming: 0 - 100%

Pan/Tilt movement: 360 degree infinite rotating

Power connector: Powercon in/out

DMX connector: 3-pin XLR in/out

Net weight: 13kg

3 BOARD INSTRUCTION

ADDRESS	001-512
RUN	DMX512
	Auto
DMX MODE	24CH
	29CH
	77CH

TEST	ALL	
SET	Display	Yes
		No
	Signal Keep	Yes
		No
	Slave	Yes
		No
	English	Yes
		NO
INFO	Version	V1.11
MANUAL	Pan	000-255
	Tilt	000-255

	Strobe	000-255
RESET	Yes	
	No	

4 DMX CHANNEL SHEET

24CH

24CH			
CH	Function	DMX value	Describe
1	Pan	0-255	Pan movement
2	Pan fine	0-255	Pan fine
3	Tilt	0-255	Tilt movement
4	Tilt fine	0-255	Tilt fine
5	Zoom	0-255	Zoom
6	Pan infinite rotation	0-255	Pan infinite rotation
7	Tilt infinite rotation	0-255	Tilt infinite rotation
8	Total dimmer	0-255	Total dimmer from dark to bright

24CH			
CH	Function	DMX value	Describe
9	Strobe	0-19	No function
		20-255	Strobe from slow to fast
10	Red	0-255	Red color 0-100%
11	Green	0-255	Green color 0-100%
12	Blue	0-255	Blue color 0-100%
13	White	0-255	White color 0-100%
14	Background Color	0-10	No Function
		11-255	Background color select
15	Background color dimmer	0-255	Background color dimmer from dark to bright
16	Show	0-10	No Function
		11-20	Show 1
	
		241-250	Show 24
		251-255	Show 1-24
17	Show Speed	0-255	Show speed from fast to slow
18	Back side strobe	0-19	No function
		20-255	Back side strobe from slow to fast
19	Back side Color select	0-10	No Function
		11-25	Red
		26-40	Green
		41-55	Blue
		56-70	White
		71-85	Red+Green
		86-100	Red+Blue
		101-115	Green+Blue
		116-130	Red+White
		131-145	Green+White
		146-160	Blue+White

24CH			
CH	Function	DMX value	Describe
		161-175	Red+Green+White
		176-190	Red+Blue+White
		191-205	Green+Blue+White
		206-255	Red+Green+Blue+White
20	Back side	0-10	No function
	Background color select	11-255	Background color select
21	Back side Background color Dimmer	0-255	Back side Background color Dimmer from dark to bright
22	Back side Show	0-10	No function
		11-20	Show 1
	
		241-250	Show 24
		251-255	Show 1-24
23	Back side show speed	0-255	Back side show speed from fast to slow
24	Reset	0-244	No function
		245-255	Reset

29CH

29CH			
CH	Function	DMX value	Describe
1	Pan	0-255	Pan movement
2	Pan fine	0-255	Pan fine
3	Tilt	0-255	Tilt movement
4	Tilt fine	0-255	Tilt fine
5	Pan Tilt Speed	0-255	Pan Tilt speed from fast to slow
6	Zoom	0-255	Zoom
7	Pan infinite rotation	0-255	Pan infinite rotation

29CH			
CH	Function	DMX value	Describe
8	Tilt infinite rotation	0-255	Tilt infinite rotation
9	Total dimmer	0-255	Total dimmer from dark to bright
10	Strobe	0-19	No function
		20-255	Strobe from slow to fast
11	Red	0-255	Red color 0-100%
12	Green	0-255	Green color 0-100%
13	Blue	0-255	Blue color 0-100%
14	White	0-255	White color 0-100%
15	Background Color	0-10	No Function
		11-255	Background color select
16	Background color dimmer	0-255	Background color dimmer from dark to bright
17	Show	0-10	No Function
		11-20	Show 1
	
		241-250	Show 24
		251-255	Show 1-24
18	Show Speed	0-255	Show speed from fast to slow
19	Back side Total dimmer	0-255	Back side Total dimmer from dark to bright
20	Back side strobe	0-19	No function
		20-255	Back side strobe from slow to fast
21	Back side Red	0-255	Back side Red color 0-100%
22	Back side Green	0-255	Back side Green color 0-100%
23	Back side Blue	0-255	Back side Blue color 0-100%
24	Back side White	0-255	Back side White color 0-100%
25	Back side Background color select	0-10	No function
		11-255	Background color select

29CH			
CH	Function	DMX value	Describe
26	Back side Background color Dimmer	0-255	Back side Background color Dimmer from dark to bright
27	Back side Show	0-10	No function
		11-20	Show 1
	
		241-250	Show 24
		251-255	Show 1-24
28	Back side show speed	0-255	Back side show speed from fast to slow
29	Reset	0-244	No function
		245-255	Reset

77CH

77CH			
CH	Function	DMX value	Describe
1	Pan	0-255	Pan movement
2	Pan fine	0-255	Pan fine
3	Tilt	0-255	Tilt movement
4	Tilt fine	0-255	Tilt fine
5	Pan Tilt Speed	0-255	Pan Tilt speed from fast to slow
6	Zoom	0-255	Zoom
7	Pan infinite rotation	0-255	Pan infinite rotation
8	Tilt infinite rotation	0-255	Tilt infinite rotation
9	Total dimmer	0-255	Total dimmer from dark to bright
10	Strobe	0-19	No function
		20-255	Strobe from slow to fast
11	Red	0-255	Red color 0-100%
12	Green	0-255	Green color 0-100%

77CH			
CH	Function	DMX value	Describe
13	Blue	0-255	Blue color 0-100%
14	White	0-255	White color 0-100%
15	Background Color	0-10	No Function
		11-255	Background color select
16	Background color dimmer	0-255	Background color dimmer from dark to bright
17	Show	0-10	No Function
		11-20	Show 1
	
		241-250	Show 24
		251-255	Show 1-24
18	Show Speed	0-255	Show speed from fast to slow
19	Back side Total dimmer	0-255	Back side Total dimmer from dark to bright
20	Back side strobe	0-19	No function
		20-255	Back side strobe from slow to fast
21	Back side Red	0-255	Back side Red color 0-100%
22	Back side Green	0-255	Back side Green color 0-100%
23	Back side Blue	0-255	Back side Blue color 0-100%
24	Back side White	0-255	Back side White color 0-100%
25	Back side Background color select	0-10	No function
		11-255	Background color select
26	Back side Background color Dimmer	0-255	Back side Background color Dimmer from dark to bright
27	Back side Show	0-10	No function
		11-20	Show 1
	

77CH			
CH	Function	DMX value	Describe
		241-250	Show 24
		251-255	Show 1-24
28	Back side show speed	0-255	Back side show speed from fast to slow
29	Reset	0-244	No function
		245-255	Reset
30	Red 1	0-255	Red 1 color 0-100%
31	Green1	0-255	Green 1 color 0-100%
.....
48	Blue 5	0-255	Blue 5 color 0-100%
49	White 5	0-255	White 5 color 0-100%
50	Back side Section 1 Red	0-255	Back side Section 1 Red color 0-100%
51	Back side Section 1 Green	0-255	Back side Section 1 Green color 0-100%
.....
74	Back side Section 12 Blue	0-255	Back side Section 14 Blue color 0-100%
77	Back side Section 12 White	0-255	Back side Section 14 White color 0-100%

5 FIXED EQUIPMENT

Please keep the equipment far away from the flammable objects like finishing material, etc. keep at least 0.5m distance from the flammable objects.

Warning: using two lamp clamps fix the equipment on the bottom of the lamp holder according to the instruction. to make sure the place of install the lamp is safe and suitable ,and the installation point that have chosen is safety and reliable.

The place of installing the lamp must support the 10 times weight of the lamp itself. And test the pensile place and make sure the place isn't out of the shape.

Must install the second protection when fixing the equipment like proper protective screening. The second protection is used to prevent drop off and lost of lamp and components.

Lamps can directly install the lamp holder , which is shown in the

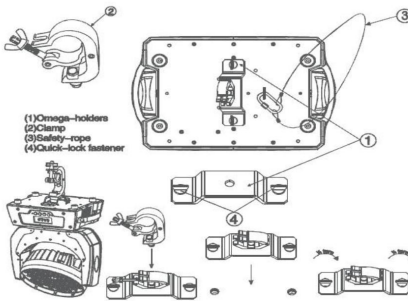


figure:

6 MAIN MACHINE CONNECTION

Please checking the power equipment supported.

Please put the plug of power source wire connect with the main power source .

(EU)Wire	Wire(America)	Direction of wire	General marks
Brown	Black	Live	L
Light blue	White	Neutral	N
Yellow/Green	Green	Earth	⊕



Warranty Card

Name	Model	Production	Purchase
------	-------	------------	----------

End User
Company Name:
Add:

Sale Store	
Link man:	
Tel:	Stamp

Description: These must be truthfully fill, seal by the end-user and point-of-sale, or else the warranty will not work (warranty period and terms, see the following)

warranty period: one year since purchase warranty terms: 1、 If fail when using the product in normal state, you can made under the provisions of the warranty, show the warranty card and purchase bills(copy), and enjoy free maintenance service in a specific service center or the manufacturer.

2. The following will be the implementation of paid service:

- (1)Without the effective warranty card
- (2)There's blank, alter and no point-of-sale name
- (3)Fail caused by unresistance
- (4)Fail caused by transportation or unloading
- (5)Fail caused by not operate by manual
- (6)Fail caused by disassemble without unauthorized
- (7)Fail caused by using the unauthorized control system

Note:

Based on our company continue to improve the product, the statement containing data may have changed, and will not notice the change any more. Company retains its right to change specifications related when product is improved. Thanks for your understanding.